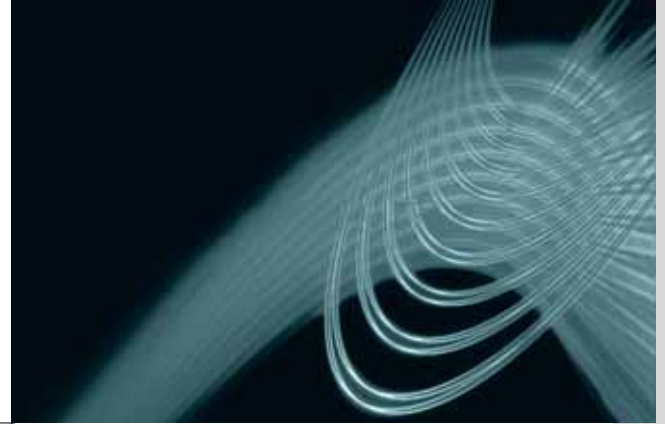


MOBILITIES
SOLUTIONS

Leveling casters



Since 1961

CASTOR 3 in 1

GREATER MOBILITY OF YOURS EQUIPMENTS

Perfectly adapted to the current requirements of the production 4:0. Castor FX is design and value our equipment.

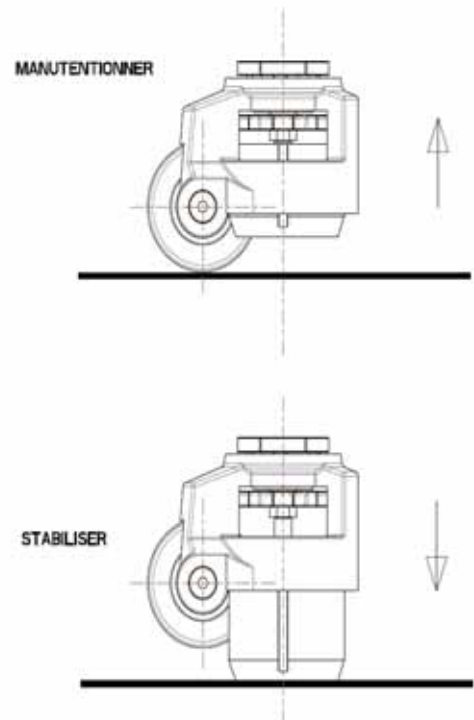
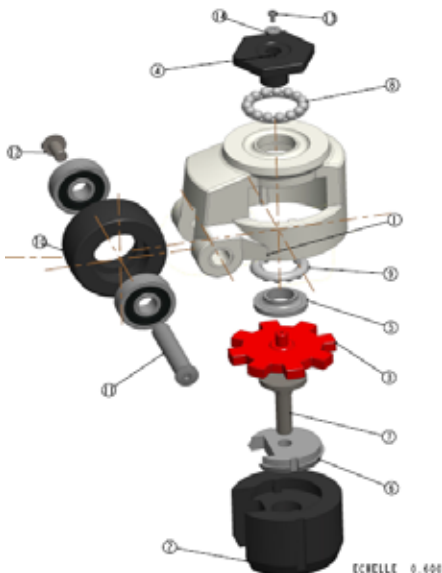
Their design and their particularly looked realization assure new features:

Handle + Immobilize + Level + Isolate

By using castors NIVELCASTER 4:0 replace on your frame the castor and the leveling feet regulation

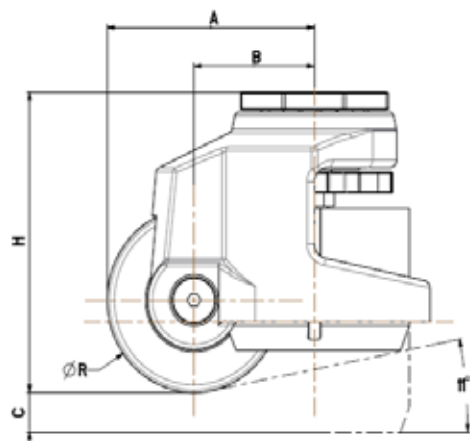
NIVELCASTER 4:0 improve the feature and cost

For best rolling, the wheel made in plastic Nylon is endowed with 2 ball bearings gone up on the axis.

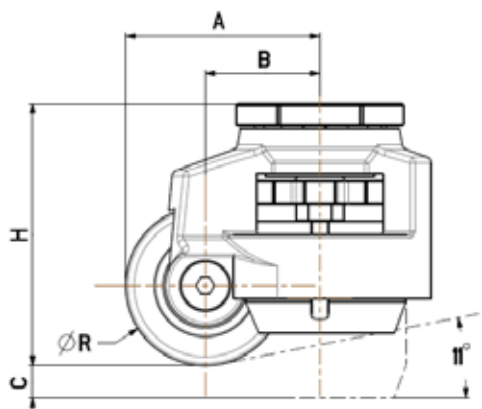


Castor with leveling adjustment

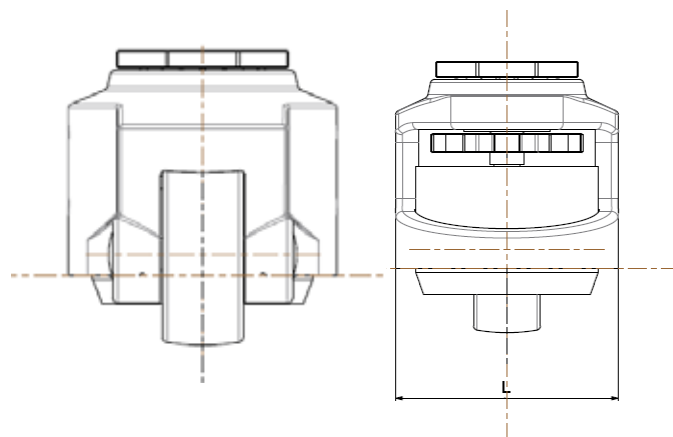
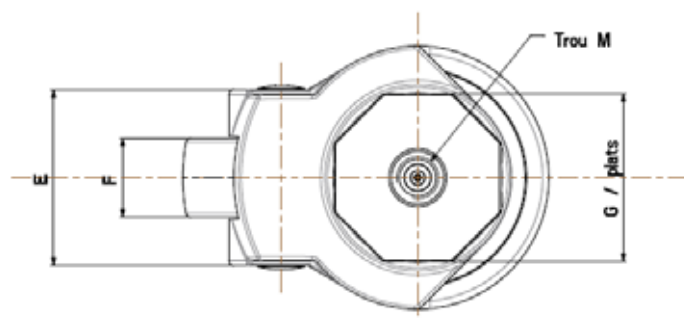
Fixing with central screw



FX 40S FX 120S



FX 60S FX 80S FX 100S



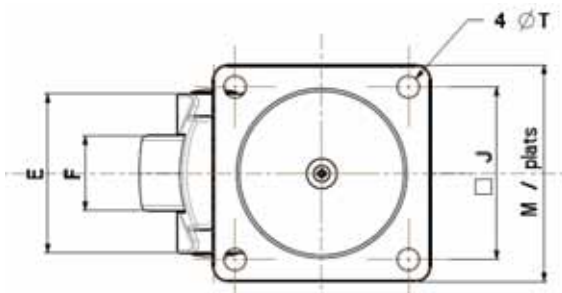
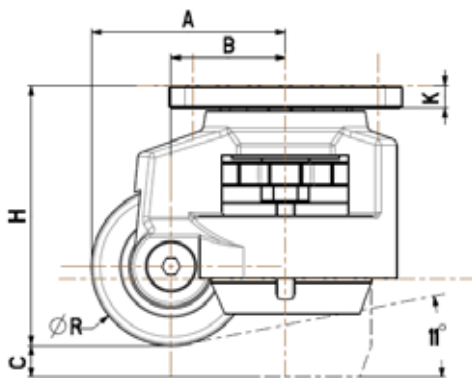
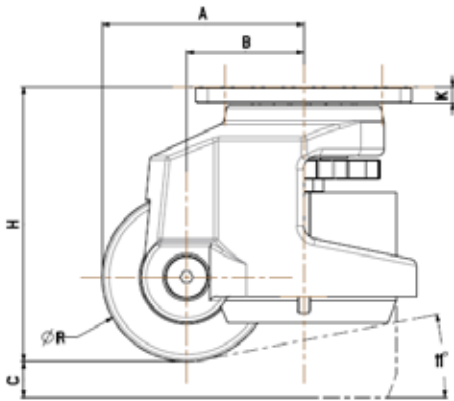
Structure	Forged steel plate on ball bearings Aluminium die-casting body Ivory powder coating
Castor	Nylon black hi-quality 70 Sh D Assembly with 2 ball bearings rolling
Lock	Rubber pad anti-vibration
Fixing	Screw in center

Reference	Size mm										Load max 1 caster	Load max 4 casters	weight
	R	H	A	B	L	M	G	E	F	C	kg	kg	kg
FX 40S	40	71,2	50	30	56,5	M8	40	42	20	10	50	150	0,38
FX 60S	50	82	61	36	60	M16	45,3	54	25	10	250	750	0,60
FX 80S	63	102	77,5	46	86	M16	63,8	67	30	16	500	1500	1,16
FX 100S	75	122	90	53	97,5	M16	63,8	67	30	16	750	2250	1,50
FX 120S	75	122	90	53	101	M16	63,8	67	30	16	1000	3000	1,62

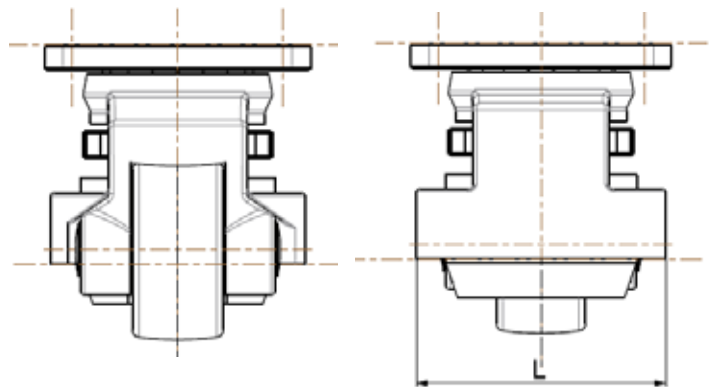


Castor with leveling adjustment

Fixing flange



Structure	Forged steel plate on ball bearings Aluminium die-casting body Ivory powder coating Leveling by swivel the ABS segment wheel
Castor	Nylon black hi quality hardness 70 Sh D Assembly with 2 ball bearings rolling
Lock	Rubber pad anti-vibration
Fixing	4 screw on flange



Reference	size mm												Load	Load	Weight
	R	H	A	B	L	M	J	G	E	F	T	C	max 1 caster	max 4 casters	
FX 40F	40	71,2	50	30	56,5	55	42	40	42	20	7,4	10	50	150	0,48
FX 60F	50	82	61	36	60	73	58	45,3	54	25	7,4	10	250	750	0,70
FX 80F	63	102	77,5	46	86	90,2	70	63,8	67	30	8,1	16	500	1500	1,26
FX 100F	75	122	90	53	97,5	95,7	70	63,8	67	30	10,5	16	750	2250	1,70
FX 120F	75	122	90	53	101	100	70	63,8	67	30	10,5	16	1000	3000	1,85